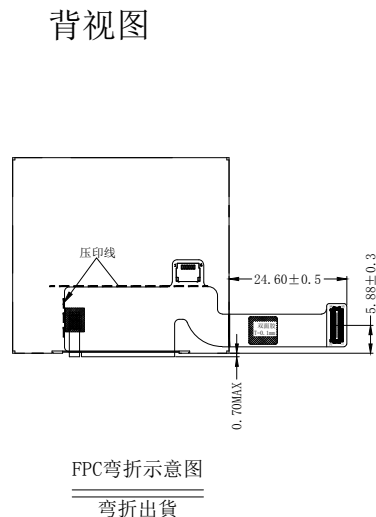
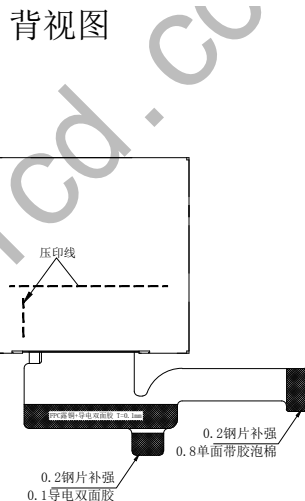
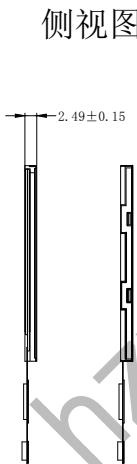
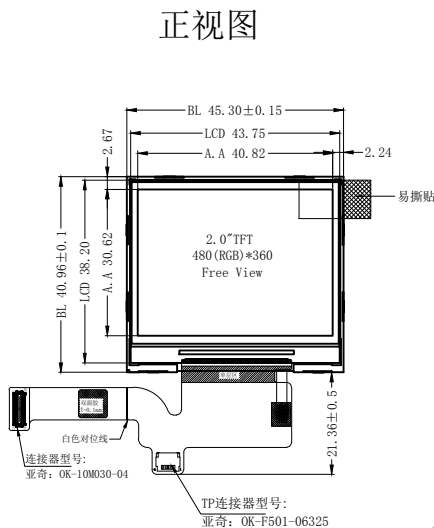


ROSH

Reversion	Discription	Date	Signed
V0	First	2024.09.24	Allen



PIN	NAME
1	GND
2	DON
3	DOP
4	GND
5	CLKN
6	CLKP
7	GND
8	DIN
9	DIP
10	GND
11	RESET
12	IOWCC (1.8V)
13	LEDA
14	LEDK
15	NC
16	TE
17	VCC (2.8V)
18	ID1 (NC)
19	GND
20	ID2 (NC)
21	NC
22	GND
23	NC
24	NC
25	TP_INT
26	TP_RST
27	TP_SDA
28	TP_SCL
29	GND
30	TP_VDD

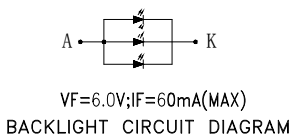
TP定义

Pin#	Assignment
1	TP_INT
2	TP_RST
3	TP_SDA
4	TP_SCL
5	TP_GND
6	TP_VDD

VDD供电电压 VDD=2.8V  
FPC通讯电压 VDDIO=1.8V

NOTES:

- DISPLAY TYPE: 2.0" TFT, TRANSMISSIVE
- DRIVER IC: ST7701S or COMPATIBLE
- VIEWING DIRECTION: ALL
- BACKLIGHT: 3 pcs White LED
- BRIGHTNESS: 500cd/m2 (TYP)
- INPUT VOLTAGE: VCC 2.8V (TYP)
- OPERATING TEMP: -20° C ~ +70° C
- STORAGE TEMP: -30° C ~ +80° C
- UNDEFINED DIMENSION TOLERANCE: ±0.3mm
- RoHS COMPLIABLY



深圳市华之洋光电科技有限公司  
SHENZHEN HZY PHOTOELECTRIC TECHNOLOGY CO., LTD

Customer Ref.	Model No.	Drawing Title		HZ020HPBS15-A0		
---	Approve	Material	Unmarked Tolerance	Unit	Scale	Page
---	Checked	LCM	±0.2	mm	--	1 of 1
---	Draw	Allen	Date	2024.09.24	Rev V0	

www.hzy-lcd.com