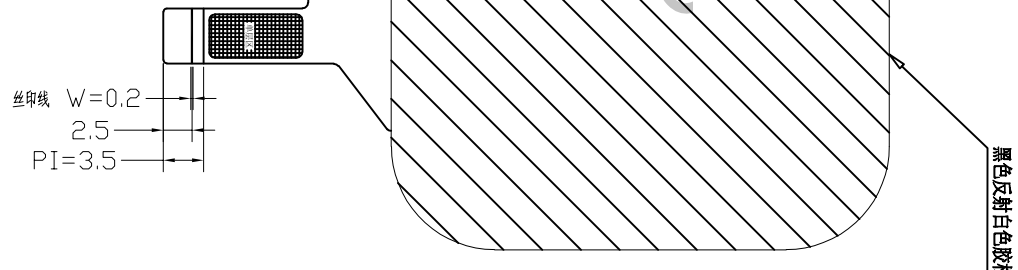
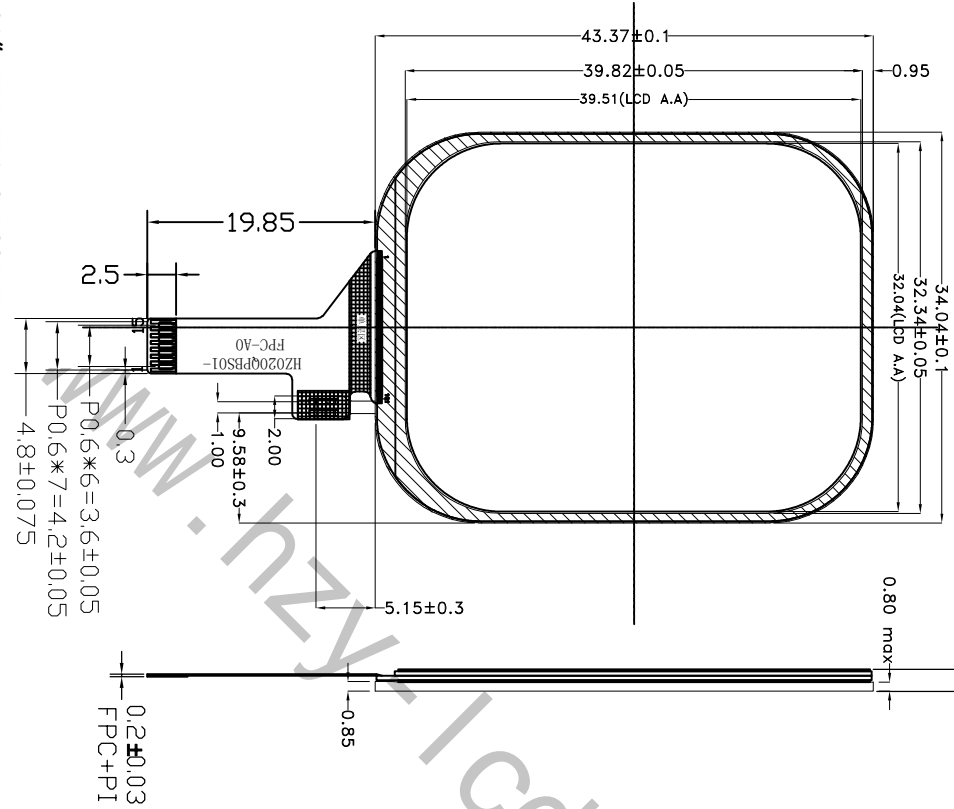


1.92±0.1 LCD+BL

黑色反射白色胶框

4-SPI

PIN	NAME
1	LEDK
2	GND
3	TE
4	SDA
5	RS
6	SCL
7	CS
8	RESET
9	IOWCC33
10	VCC33
11	VCC33
12	GND
13	GND
14	LEDA
15	LEDA



TESTS:

DISPLAY TYPE:2.01" TFT, TRANSMISSIVE

DRIVER IC:ST7789P3

VIEWING DIRECTION: ALL

BACKLIGHT: 4 pcs White LED

LCM Brghtness:507cd/m2(MIN), 598cd/m2 (typ);

INPUT CURRENT: VCC 3.3V (typ)

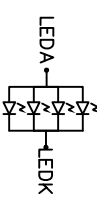
OPERATING TEMP: -20° C ~ +70° C

STORAGE TEMP: -30° C ~ +80° C

UNDEFINED DIMENSION TOLERANCE: ±0.2mm

RoHS COMPLIABLY

LED CIRCUIT DIAGRAM:



LEDA → LEDK



深圳市华之洋光电科技有限公司

SHENZHEN HZY PHOTOELECTRIC TECHNOLOGY CO., LTD

Customer Ref.	Model No.	Drawing Title	HZ020QPBS01-A0	
Part No.	Approve	Material	Unmarked Tolerance	Unit
Drawing No.	Checked	LCM	±0.2	mm
	Draw	Date	2024.06.15	Rev 00

8 7 6 5 4 3 2 1

A

B

C

D