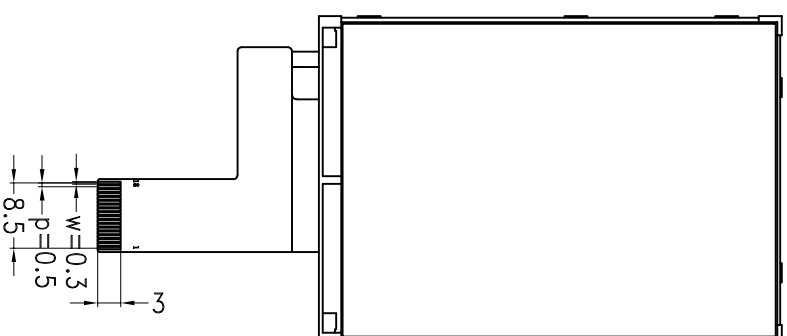
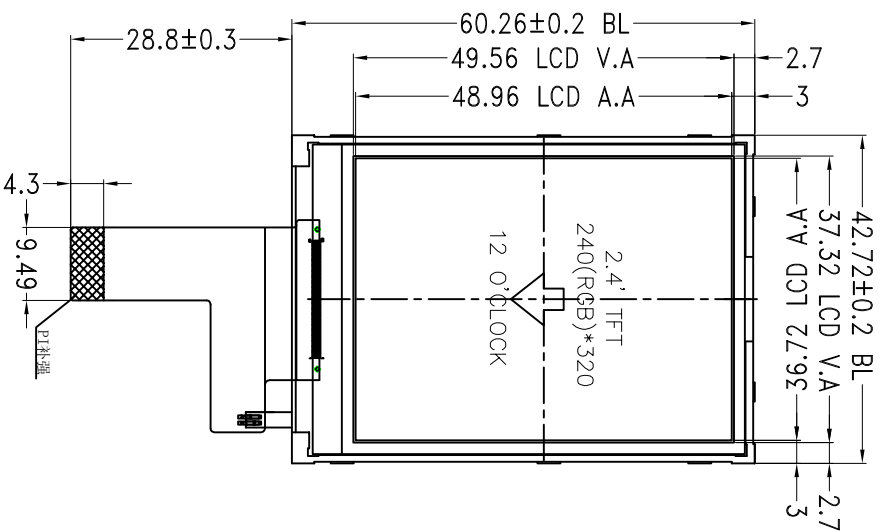


ROSH

| | | | |
|----------|-------------|------------|--------|
| Revision | Description | Date | Signed |
| 01 | First | 2021.08.31 | YP |

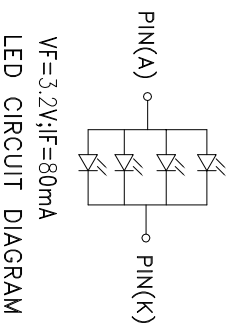


| PIN | SYMBOL |
|-----|--------|
| 1 | GND |
| 2 | RESET |
| 3 | SCL |
| 4 | RS |
| 5 | CS |
| 6 | SDA |
| 7 | SDO |
| 8 | GND |
| 9 | VCI |
| 10 | LEDA |
| 11 | LEDK1 |
| 12 | LEDK2 |
| 13 | LEDK3 |
| 14 | LEDK4 |
| 15 | NC |
| 16 | NC |
| 17 | NC |
| 18 | NC |

4SPI

NOTES:

1. DISPLAY TYPE: 2.4" TFT, TRANSMISSIVE
2. DRIVER IC: GC9306X
3. VIEWING DIRECTION: 12.0" CLOCK
4. BACKLIGHT: 4 pcs White LED
5. INPUT CURRENT: VCC 2.8V (type)
6. OPERATING TEMP: -20°C ~ +70°C
7. STORAGE TEMP: -30°C ~ +80°C
8. UNDEFINED DIMENSION TOLERANCE: ±0.2mm
9. ROHS COMPLIABLY



LED CIRCUIT DIAGRAM

深圳市华之洋光电科技有限公司
Shenzhen HZY Photoelectric Technology Co., Ltd

| | | | | | | |
|---------------|-----------|----------------|--------------------|------|------------|--------|
| Customer Ref. | Model No. | Drawing Title | Unmarked Tolerance | Unit | Scale | Page |
| --- | Approve | HZ024QTCG01-A0 | ±0.2 | mm | -- | 1 of 1 |
| Part No. | Checked | Material | LCM | Date | 2021.06.18 | Rev 00 |
| --- | Draw | YP | | | | |