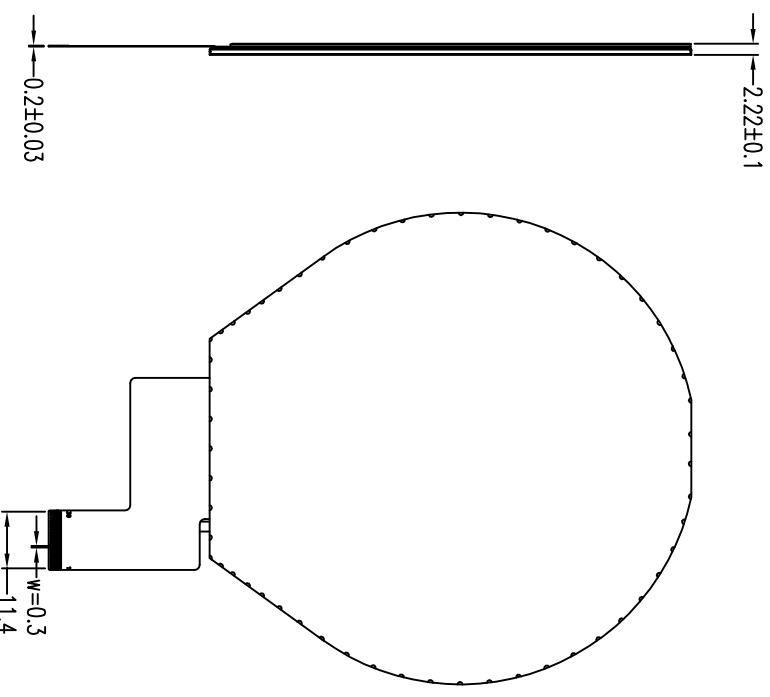
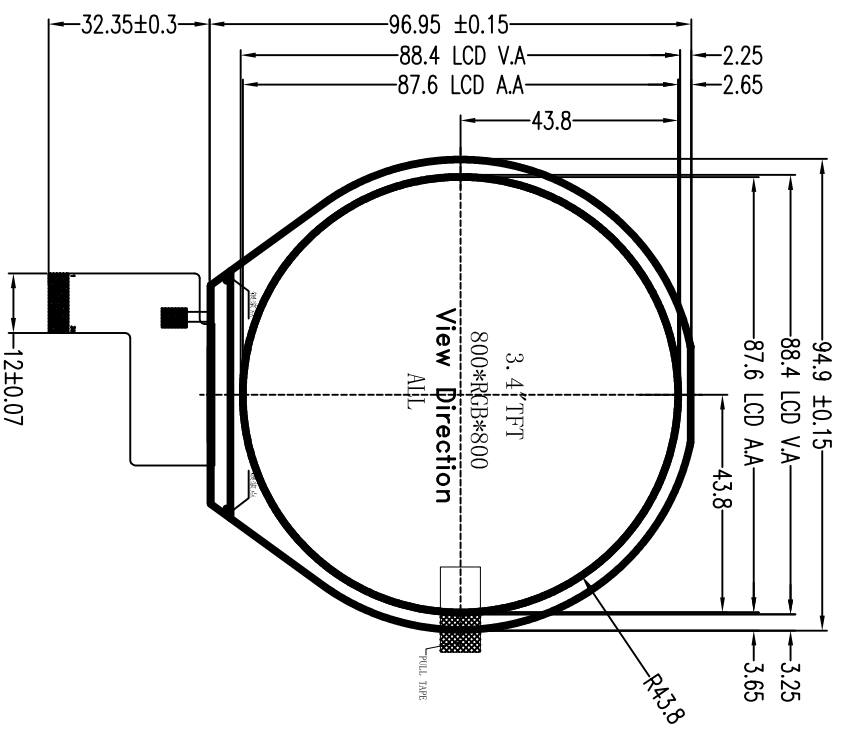


ROSH

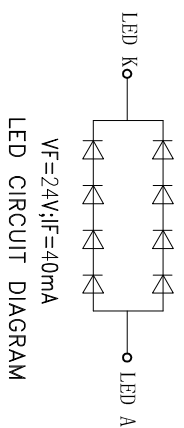
Revision	Description	Date	Signed
01	First	2022.08.26	YP



FPC INTERFACE

NO.	SYMBOL
1	GND
2	LEDA
3	LEDA
4	LEDK
5	LEDK
6	GND
7	AVEE
8	AVEE
9	GND
10	AVDD
11	AVDD
12	GND
13	IOVCC
14	IOVCC
15	GND
16	RESET
17	GND
18	TE
19	GND
20	NC
21	NC
22	NC
23	GND
24	D2P
25	NC
26	D2N
27	GND
28	CLKP
29	NC
30	CLKN
31	GND
32	D1P
33	NC
34	D1N
35	GND
36	D0P
37	NC
38	D0N
39	GND

- NOTES:
1. DISPLAY TYPE: 3.4" TFT, TRANSMISSIVE
 2. DRIVER IC: JD9365DA
 3. VIEWING DIRECTION: ALL 0° CLOCK
 4. BACKLIGHT: 8 pcs White LED
 5. INPUT CURRENT: AVDD5V (type)
 6. OPERATING TEMP: -20° C ~ +70° C
 7. STORAGE TEMP: -30° C ~ +80° C
 8. UNDEFINED DIMENSION TOLERANCE: ±0.2mm
 9. ROHS COMPLIABLY



深圳市华之洋光电科技有限公司
Shenzhen HZY Photoelectric Technology Co., Ltd

Customer Ref.	Model No.	Drawing Title	Material	Unmarked Tolerance	Unit	Scale	Page
---	---	HZ034JPBT02-A0	LCM	±0.2	mm	--	1 of 1
Part No.	Approve	Checked	Date	2022.08.26	Rev	00	
Drawing No.	Draw	YP					