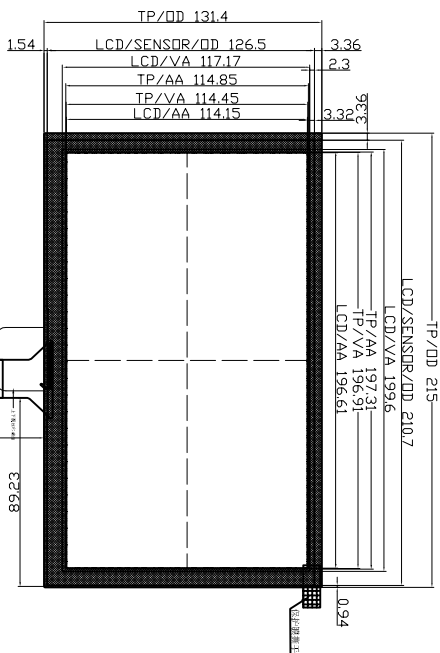
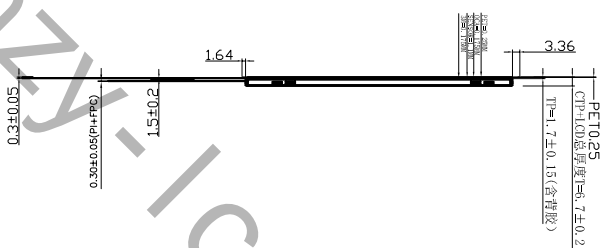


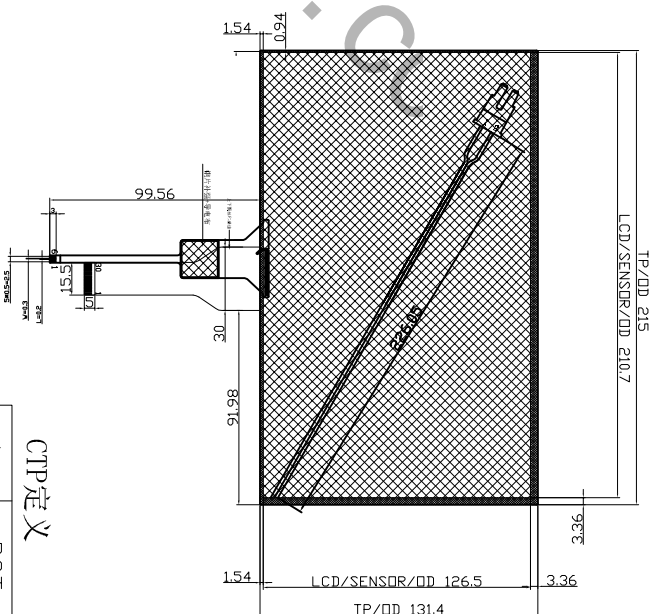
正视图



侧视图



背视图

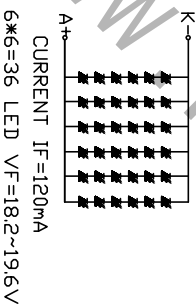


CTP说明:

1. 结构:P+G
2. 表面硬度:≥3H
3. 透光率:≥80%
4. 操作环境:-20° C~ 70° C
5. 储藏环境:-30° C~ 80° C
6. IC型号:GT911;
7. 连接方式:COF; 通讯类型:IIC
8. 工作电压:3.3V 通用I/O电压:3.3V
9. 未注尺寸公差: ±0.2

NOTES:

1. DISPLAY TYPE: 9.0' TFT, TRANSMISSIVE
2. DRIVER IC: EK79007AD3+EK73217BCGA
3. VIEWING DIRECTION: ALL D'CLOCK
4. BACKLIGHT: 36 pcs White LED
5. INPUT CURRENT: VCC 3.3V(type)
6. OPERATING TEMP: -20°C~ +70°C
7. STORAGE TEMP: -30°C~ +80°C
8. UNDEFINED DIMENSION TOLERANCE: ±0.2mm
9. ROHS COMPLIABLE



6*6=36 LED VF=18.2~19.6V

CTP定义

1	RST
2	VCC
3	GND
4	INT
5	SDA
6	SCL

NO.	Pin name
1	VCCM
2	VDD
3	VDD
4	NC
5	RESET
6	STBY/B
7	GND
8	DON
9	DOP
10	GND
11	D1N
12	D1P
13	GND
14	CLKN
15	CLKP
16	GND
17	D2N
18	D2P
19	GND
20	D3N
21	D3P
22	GND
23	NC
24	AVDD
25	NC
26	VGL
27	NC
28	VGH
29	NC
30	GND

深圳市华之洋光电科技有限公司

Customer Ref.	Model No.	Drawing Title	Material	Unmarked Tolerance	Unit	Scale	Page
---	Approve	HZ090XPKT01C-A0	LCM	±0.2	mm	--	1 of 1
Part No.	Checked	Draw	Yp	Date	2023.05.08	Rev00	
Drawing No.	---	Draw	Yp	Date	2023.05.08	Rev00	