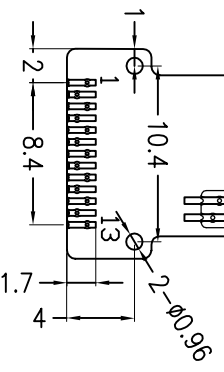
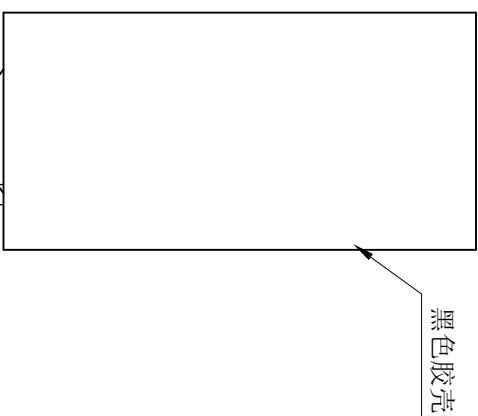
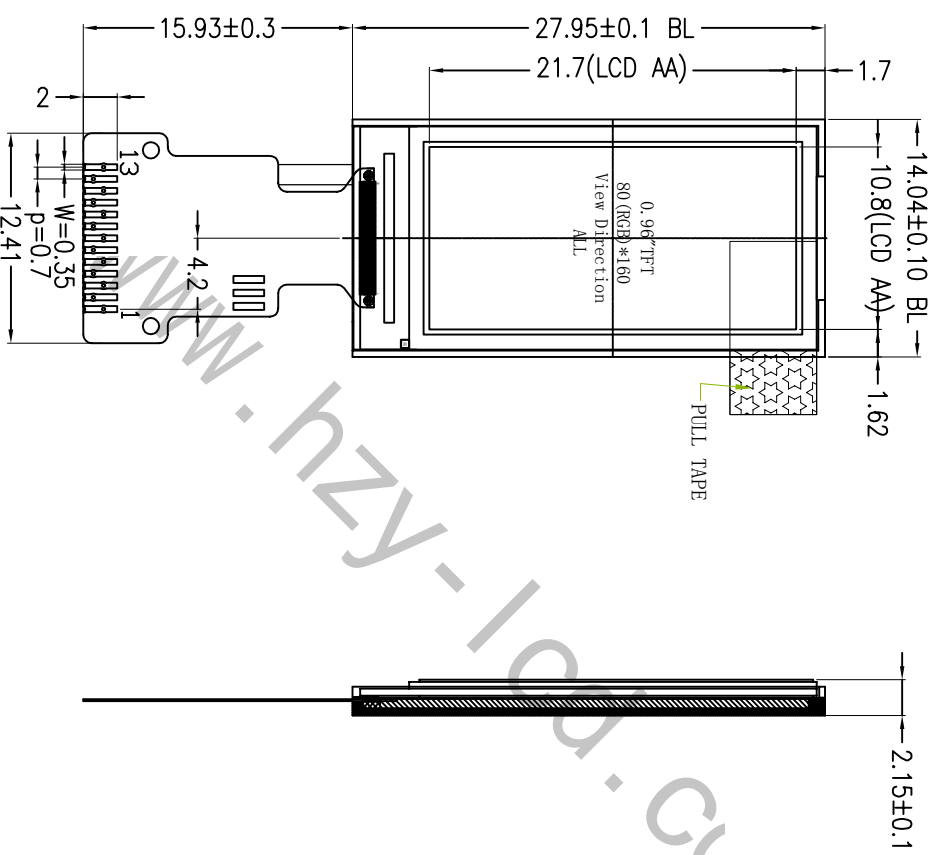


ROSH

Revision	Description	Date	Signed
01	First	2020.08.18	YP



LEDA  $\rightarrow$   $\rightarrow$  LEDK  
 VF = 3.2V; IF = 15-20mA  
 LED CIRCUIT DIAGRAM

PIN	SYMBOL
1	NC
2	NC
3	SDA
4	SCL
5	RS
6	RESET
7	CS
8	GND
9	NC
10	VCC
11	LEDK
12	LEDA
13	GND

4线SPI

NOTES:

1. DISPLAY TYPE: 0.96" TFT, TRANSMISSIVE
2. DRIVER IC: NV3022B
3. VIEWING DIRECTION: ALL
4. BACKLIGHT: 1 pcs White LED
5. INPUT CURRENT: VCC 2.8V (type)
6. OPERATING TEMP: -20° C ~ +70° C
7. STORAGE TEMP: -30° C ~ +80° C
8. UNDEFINED DIMENSION TOLERANCE: ±0.2mm
9. ROHS COMPLIABLY

深圳市华之洋光电科技有限公司  
 Shenzhen HZY Photoelectric Technology Co., Ltd

Customer Ref.	Model No.	Drawing Title	HZ096A1-00
Part No.	Approve	Material	Unmarked
Drawing No.	Checked	LCM	±0.2 mm
	Draw	Date	2020.08.18 Rev 00
		Unit	mm
		Scale	1 of 1