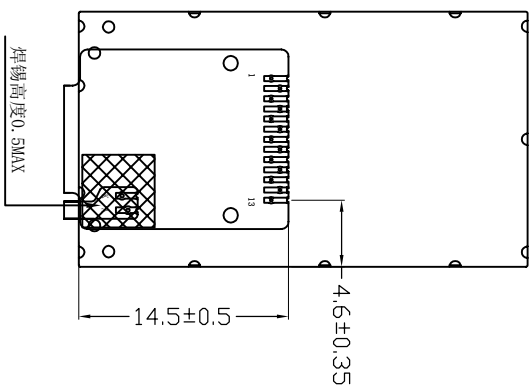
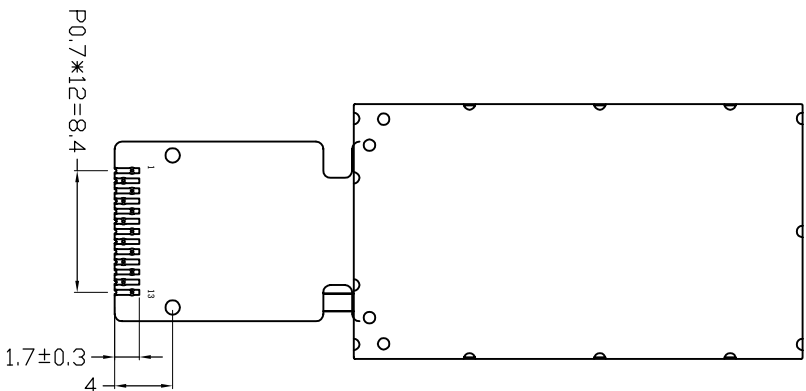
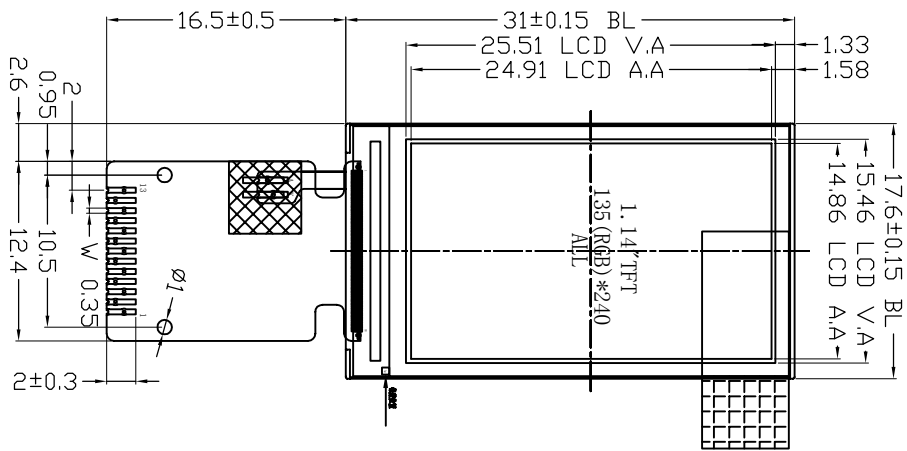


ROSH

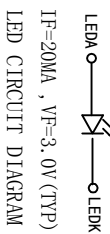
Revision	Description	Date	Signed
01	First	2021.07.21	YP



FPC弯折示意图  
\*展开出货

4线SPI

NO	SYMBOL
1	NC
2	NC
3	SDA
4	SCL
5	RS
6	RES
7	CS
8	GND
9	GND
10	VCC
11	LEDK
12	LEDA
13	GND



NOTES:

1. DISPLAY TYPE: 1.14" TFT, TRANSMISSIVE
2. DRIVER IC: ILI9340X
3. VIEWING DIRECTION: ALL 0'CLOCK
4. BACKLIGHT: 1 pcs White LED
5. INPUT CURRENT: VCC 2.8V (type)
6. OPERATING TEMP: -20°C ~ +70°C
7. STORAGE TEMP: -30°C ~ +80°C
8. UNDEFINED DIMENSION TOLERANCE: ±0.2mm

ROHS COMPLIABLY

深圳市华之洋光电科技有限公司  
Shenzhen HZY Photoelectric Technology Co.,Ltd

Customer Ref.	Model No.	Drawing Title	HZ11ADPHY01-A0	
Part No.	Approve	Material	Unmarked Tolerance	Unit
Drawing No.	Checked	LCM	±0.2	mm
	Draw	YP	Date	2021.07.21
			Rev	00